



ASH HANDLING SYSTEM

MASIBUS offered supply and customization of 15,000 I/O redundant SCADA software for the Automation of Ash handling System

Objective

Ash handling is a major problem with coal fired thermal power plants due to poor quality of coal with high silica content, low calorific value coal (2500 kcal/kg) compared to over 5000kcal/kg for normal good coal, highly abrasive characteristics of ash, 40-60% ash content in coal, which is 3 to 5 times higher than the international average. Ash handling therefore requires complex higher capacity automatic systems.

Masibus offered solution for Automation of Ash handling System to be monitored locally.

Key Differentiators

Citect SCADA

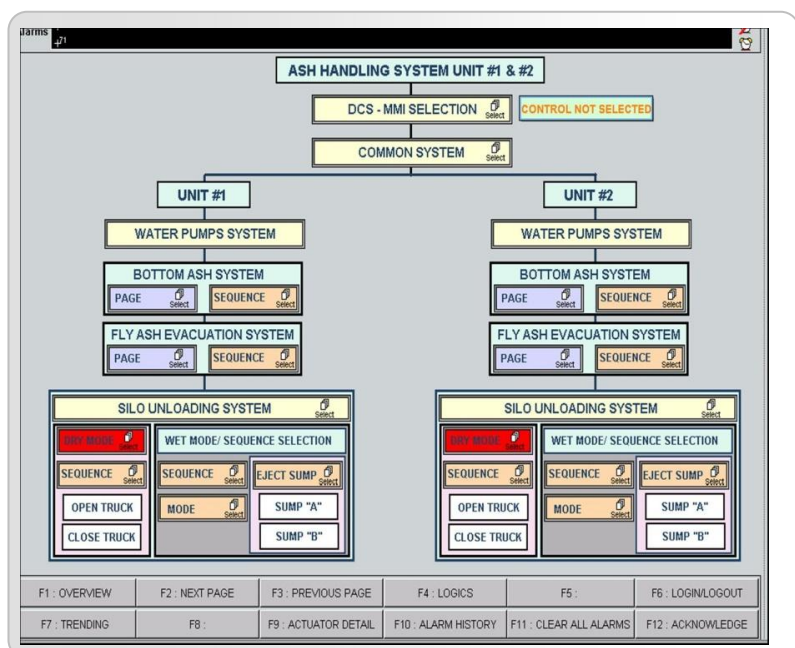
DCS Yokogawa CS3000

Update time of all I/Os is < 1 Sec

DH+ Bus, RS 232, Ethernet- TCP/IP

Display of real time trends with 3 layer security

Detailed display page of critical component



Features

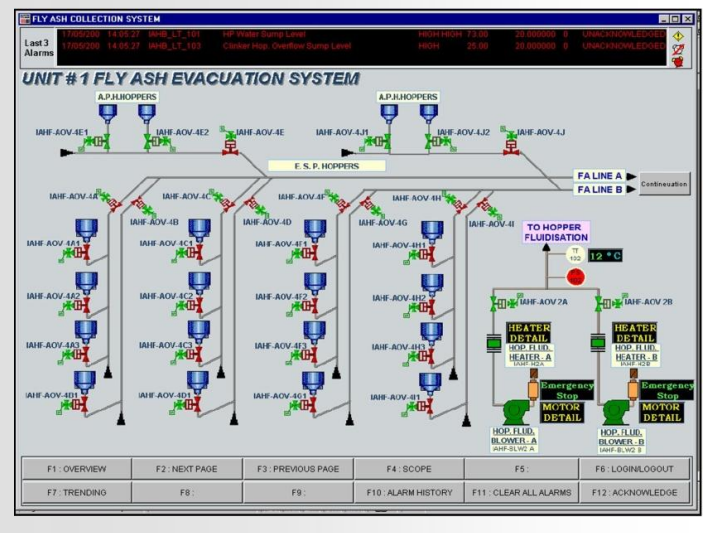
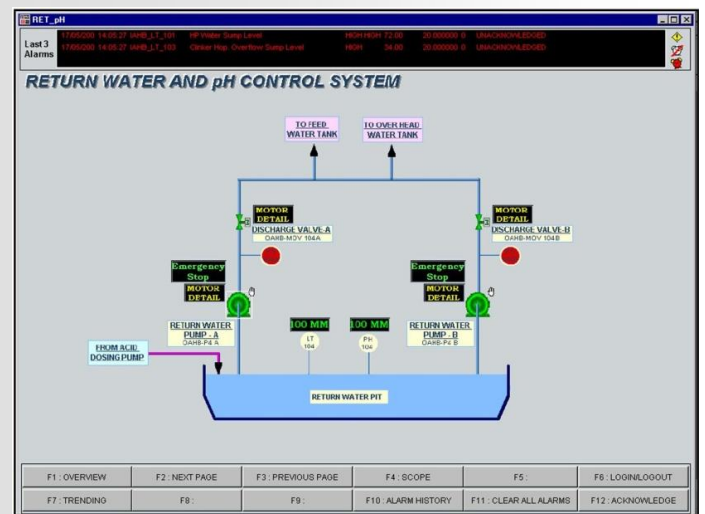
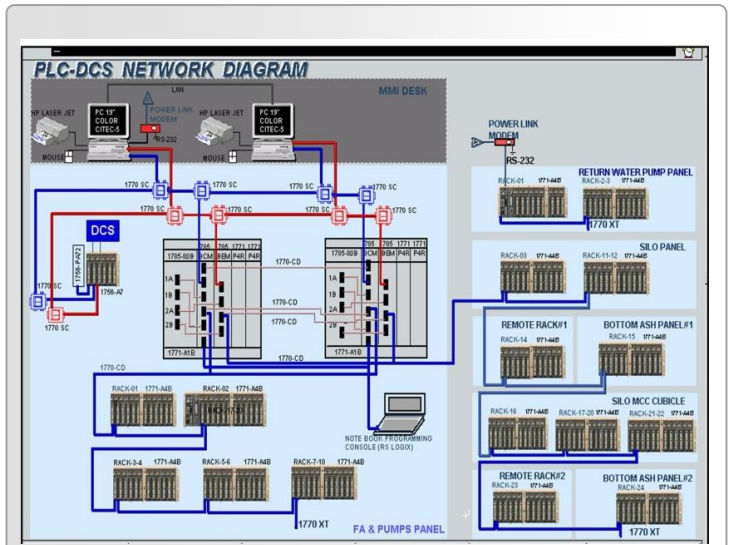
The SCADA acquired data from the various process parameters through PLC. The actual value displayed in the computer every 1 second for all the channels by the Windows based Citect Software. PLC feeds data to both DCS and SCADA.

Citect Software was the historian and whenever processed history was required, DCS requests Citect MMI to provide the history through DH+ Bus. Operator could select DCS or MMI mode from Overview Page Menu executed through PLC security pass function.

The design of the operator interface based upon a hierarchical approach. Various controller faceplates provided, which were the only methods of starting and stopping drives and modulating plant operations such as set point change, auto/manual and manual output operation. Starting or stopping of a sequence operation done by soft keys. Various indicating light colors used for better process understanding. Listing of interlocks descriptions associated with each device provided.

Sub Titles

- Real time trend panel Operation and Monitoring Panel Function with Hot Function and Soft keys
- Alarm Priority and Triggered Alarm Processing Levels
- Soft Logic and interlocks for plant safety
- Ability to log beyond all failures and expandable



Head Office:

Masibus Automation And Instrumentation Pvt. Ltd.

B-30, GIDC Electronics Estate, Sector-25, Gandhinagar-382044, Gujarat, India. Tel: +91 79 2328275-79, Fax: +91 79 23282781-82

E-mail: sales@masibus.com, Web: www.masibus.com